

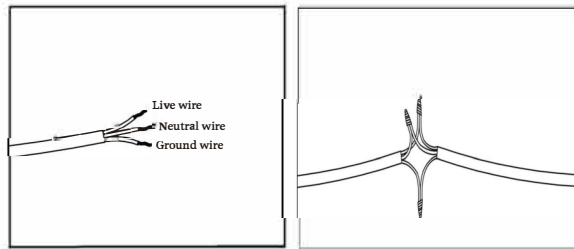
HARDWARE INSTRUCTIONS

Warning: Manufacturer's warranty shall be void if product is not installed by a licensed professional.

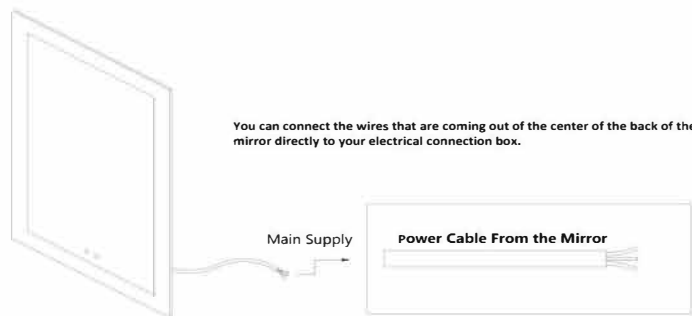
Before you start the installation, please ensure that

- the wall where the product is being installed is able to support the weight of the product
- the main electrical supply has been powered off to complete installation

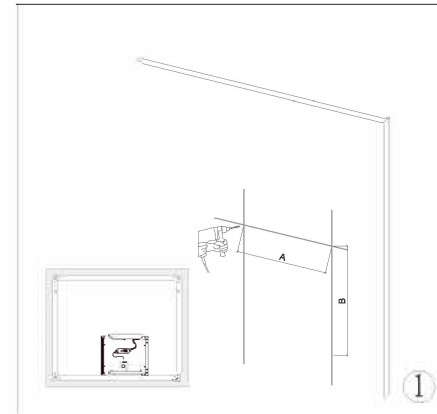
- Green = GROUND wire connect to the ground wire in your box, or to the box as a ground.
- White = LIVE wire connect to the White LIVE wire in your box.
- Black = Neutral wire connect to the Black Neutral wire in your box.



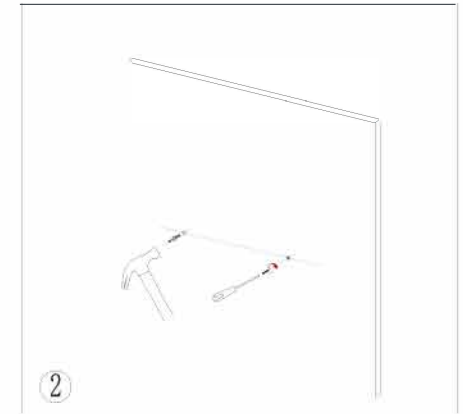
- (1) You would see there three wires with three colors - white, green and black.
- (2) Safely connect these three wires one by one to the wires of wall switch in your home.



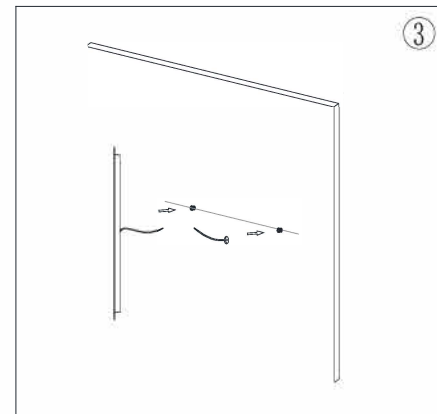
WALL MOUNTING INSTRUCTIONS



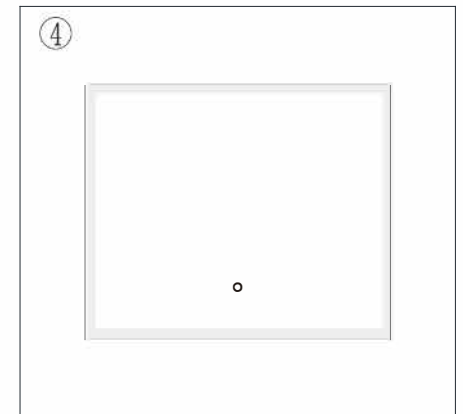
Measure the distance between mounting holes. Drill holes with a suitable size drill.



Insert the anchor and mounting screw into the wall.



Connect the mirror wires with your main wires and hang the mounting hole to the screw on the wall.



Peel off protective film and clean the mirror with damp cloth.

MAINTENANCE

Never use bleach based or window cleaning solution as these may damage the backing of the mirror. We recommend a damp cloth to remove splashes.