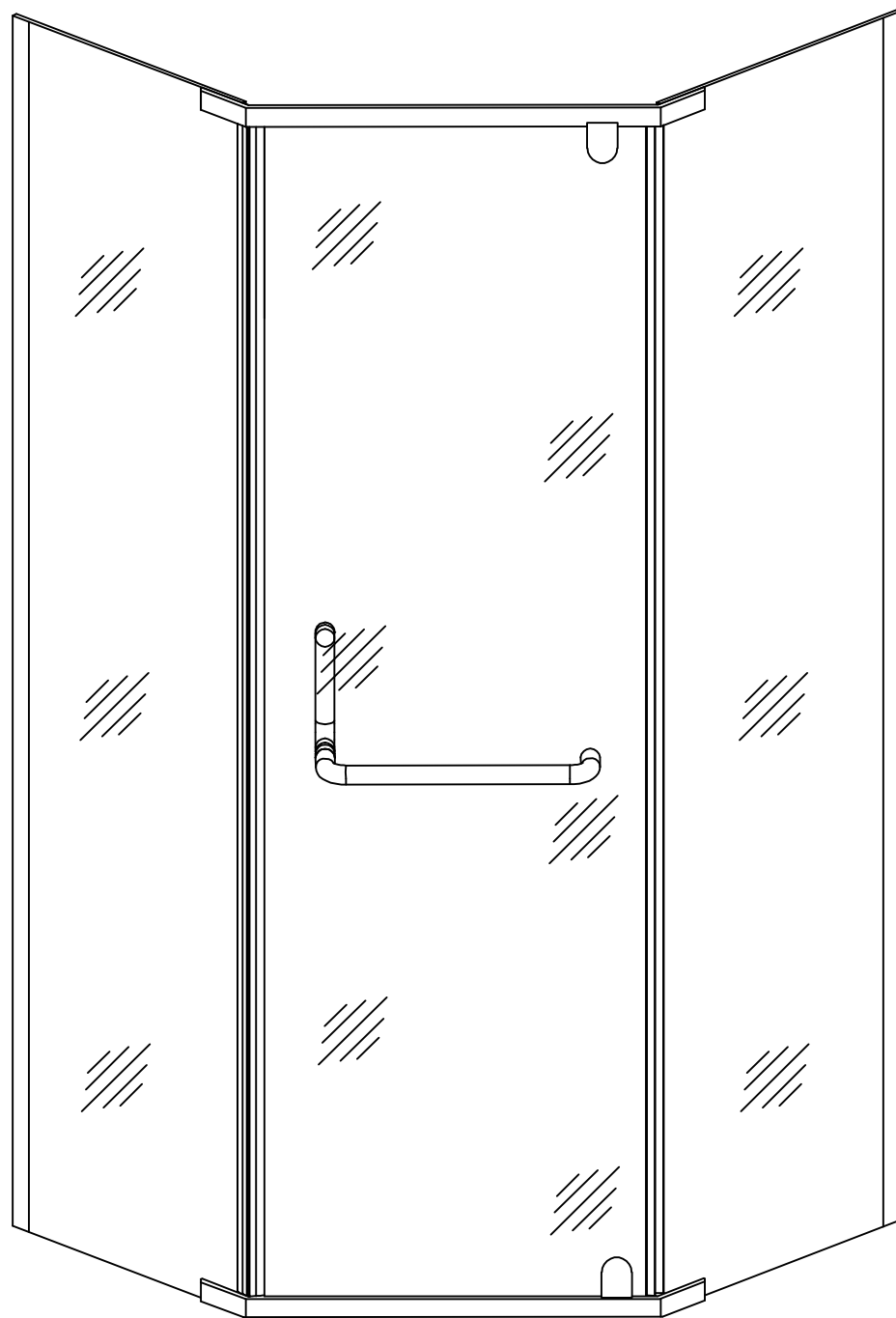


SERA

# SERA

## INSTALLATION AND OWNER'S MANUAL



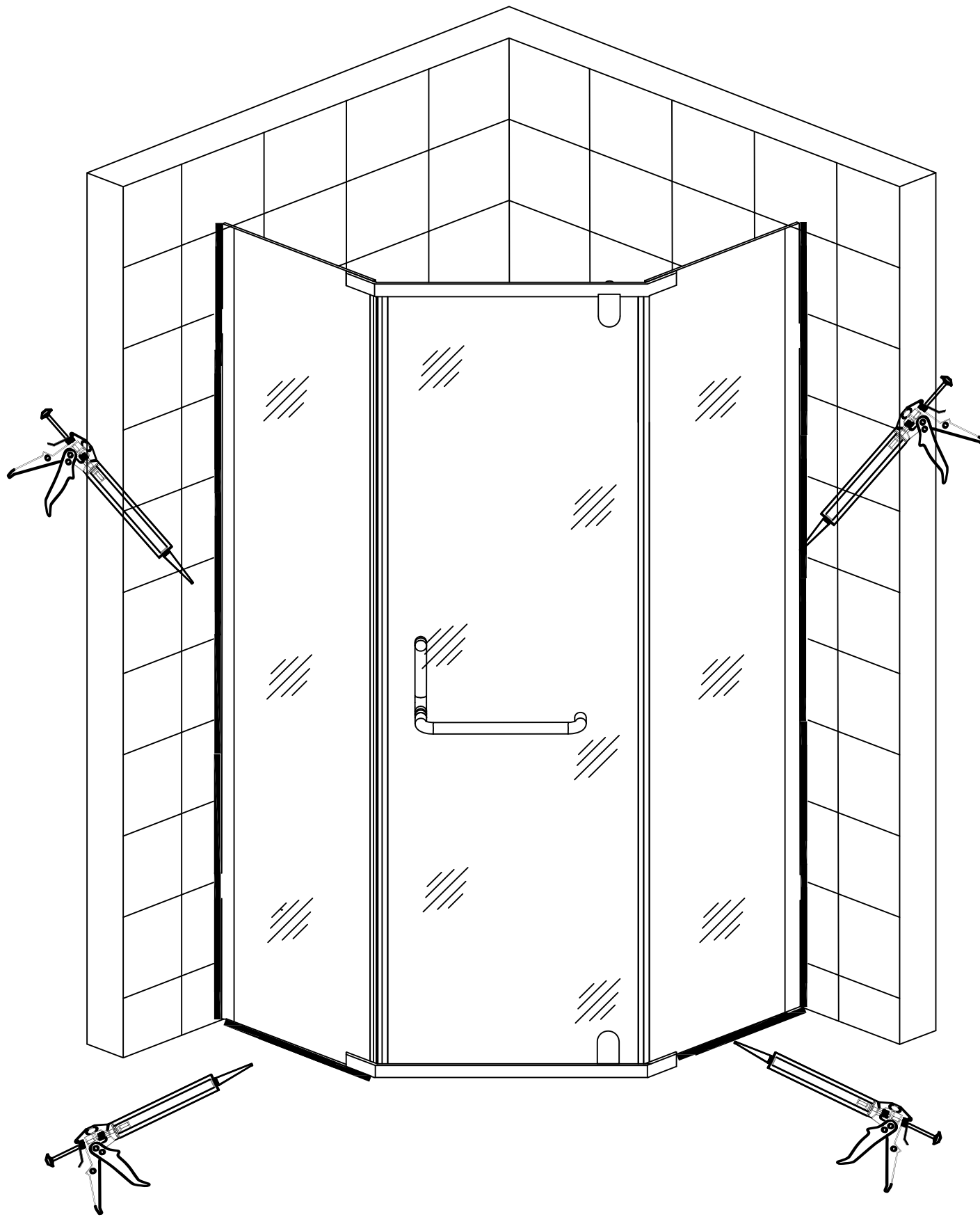
**Shower Door Model Number: S73-36**

**Please carefully read these instructions before you begin to install the products.**





# Final sealing



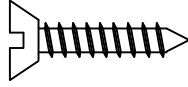
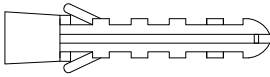
Using bathroom rated silicone sealant or caulk, seal the bottom each fixed glass panels to shower floor. Seal along each edge of fixed glass panels where the wall and fixed glass panels meet.

# Before you start

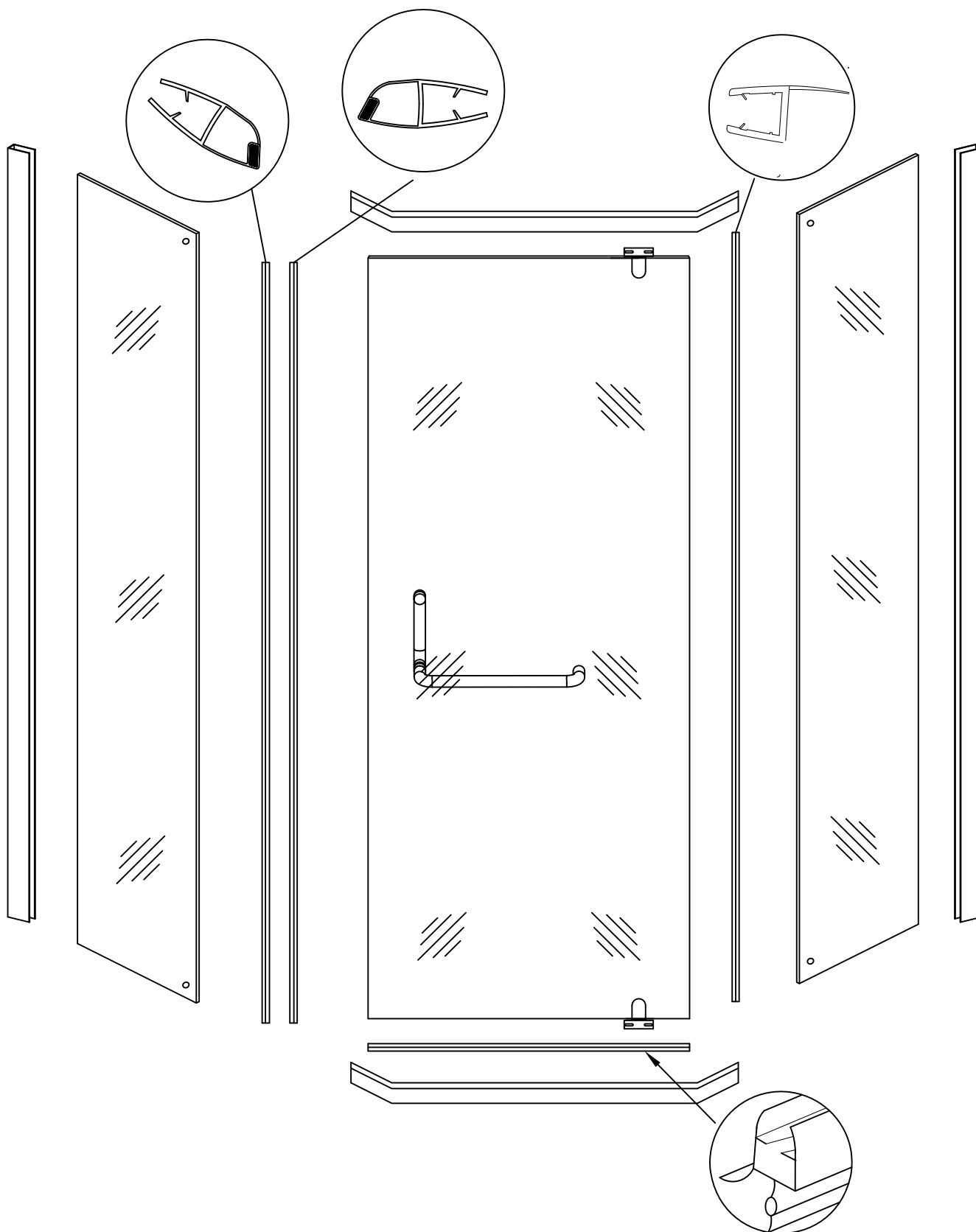
Thank you for purchasing your shower door. We hope that it will provide you with years of satisfying use and enjoyment.

Please read this manual carefully because it contains information and instructions about the proper installation of the unit. If you do not follow certain conditions of installation and maintenance, your warranty may be affected.

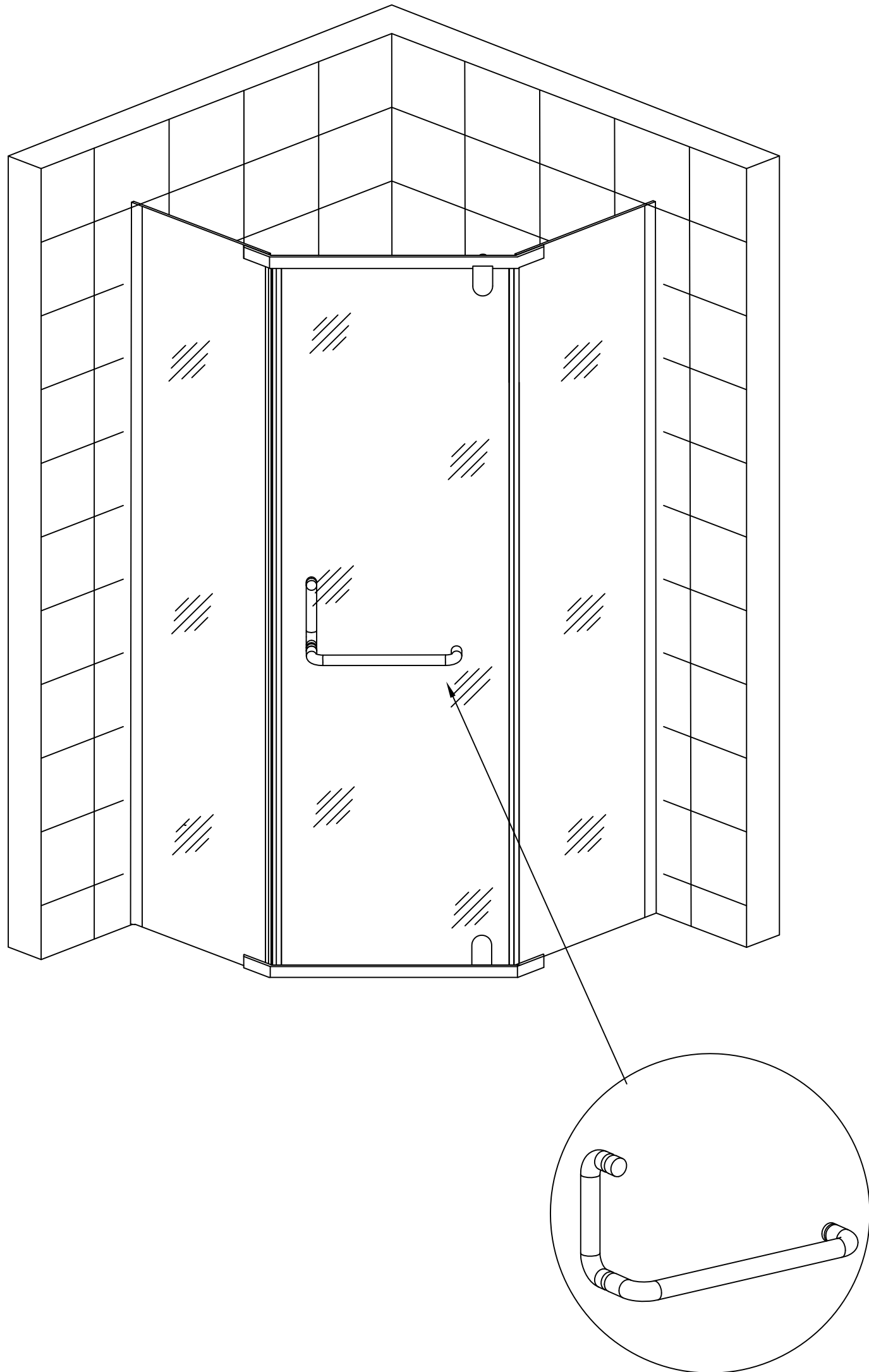
# SUPPLIED HARDWARE

SCREW PACK (1)	M4x40		6
	wall anchor		6

# SUPPLIED PARTS



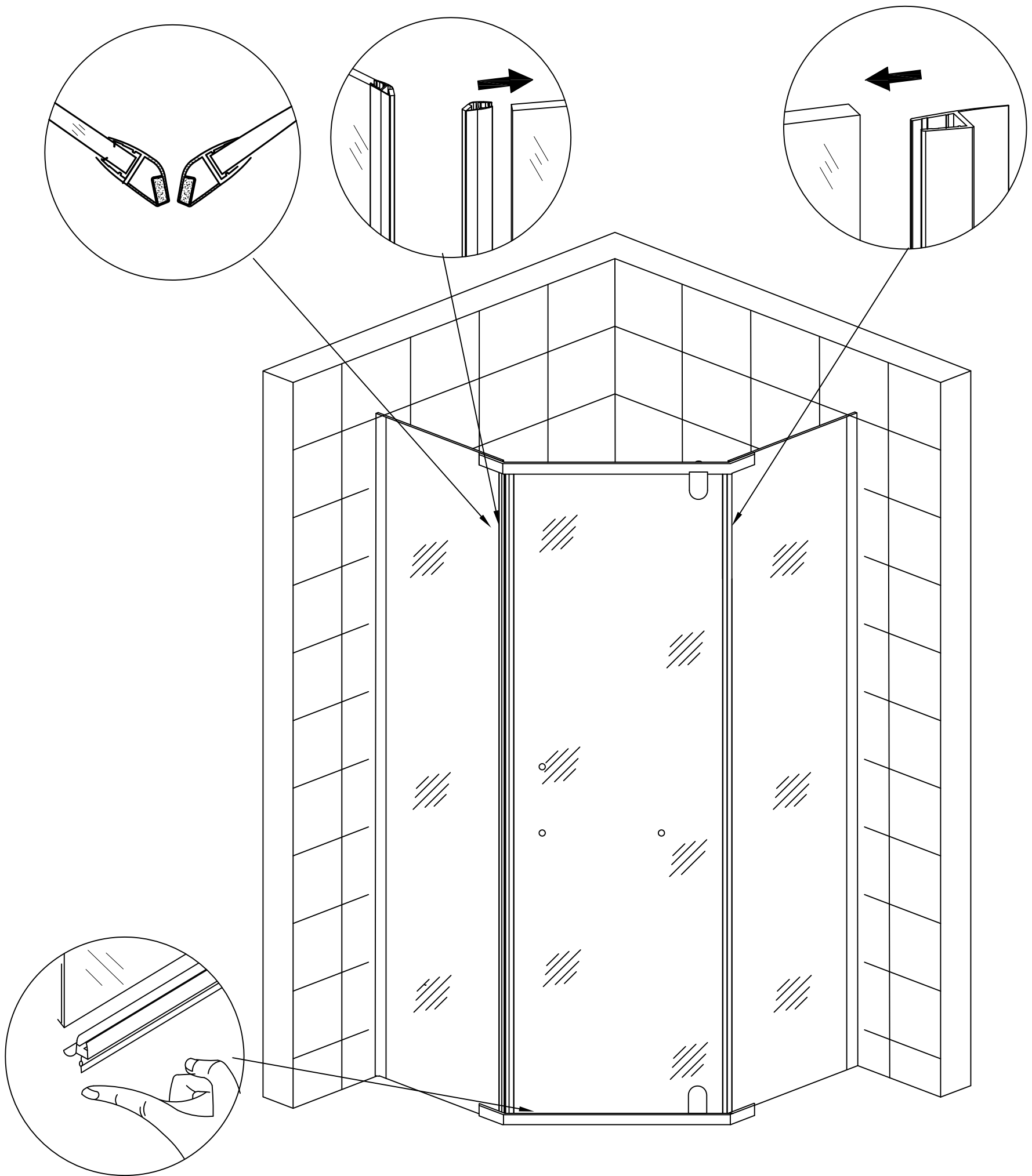
# Installing the door handle



Install the door handle using the hardware provided be sure to use the silicone washer provided between the glass and the door handle to prevent scratching.



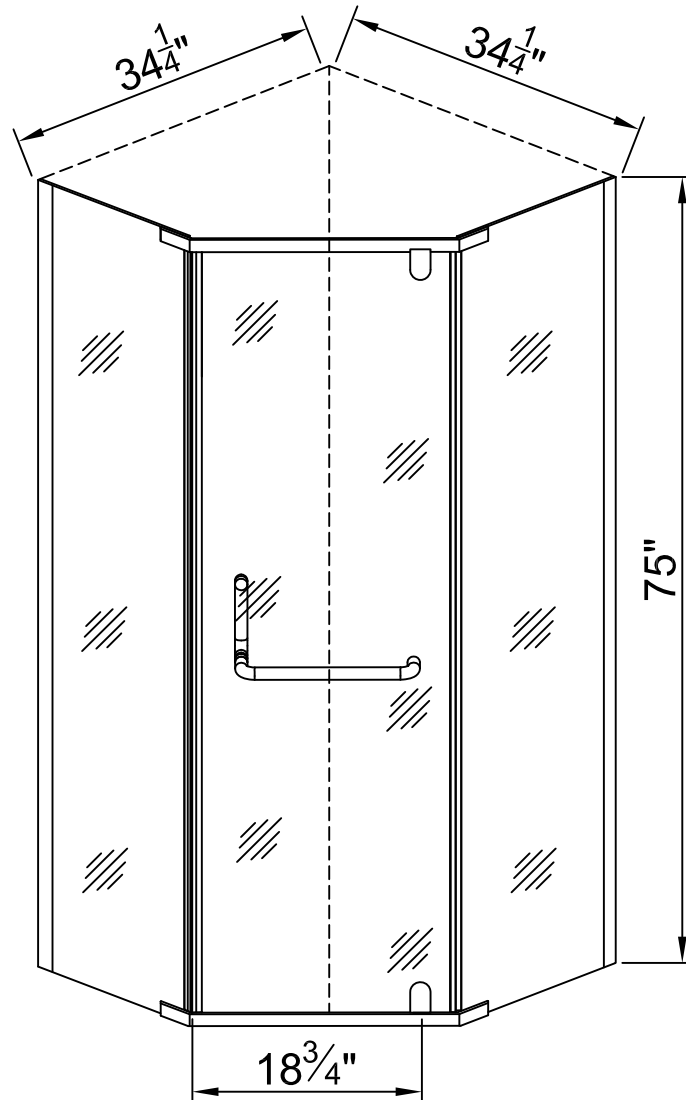
# Installing the door seals



Install the bottom seal and the side magnet seals onto the door and fixed glass. Once you have installed all of the seals close to door and ensure a seal is created the entire length of the door. Make adjustments if necessary to the door to create a positive seal.

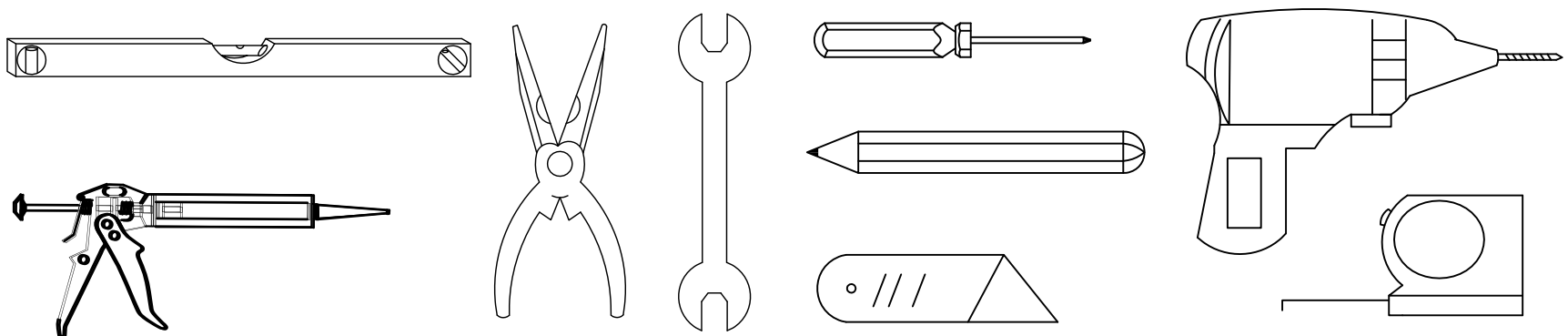
# Installation Guide

Please read and follow the installation instructions and guidelines in this section. Failure to follow the recommended instructions and installation techniques may lead to possible damage to the unit or the surrounding area and can affect warranty claims.



**ATTENTION:** This unit requires assembly. A minimum of two people are required for assembly, as several of the sections can be large and unstable until assembled.

**You will need the following tools:**



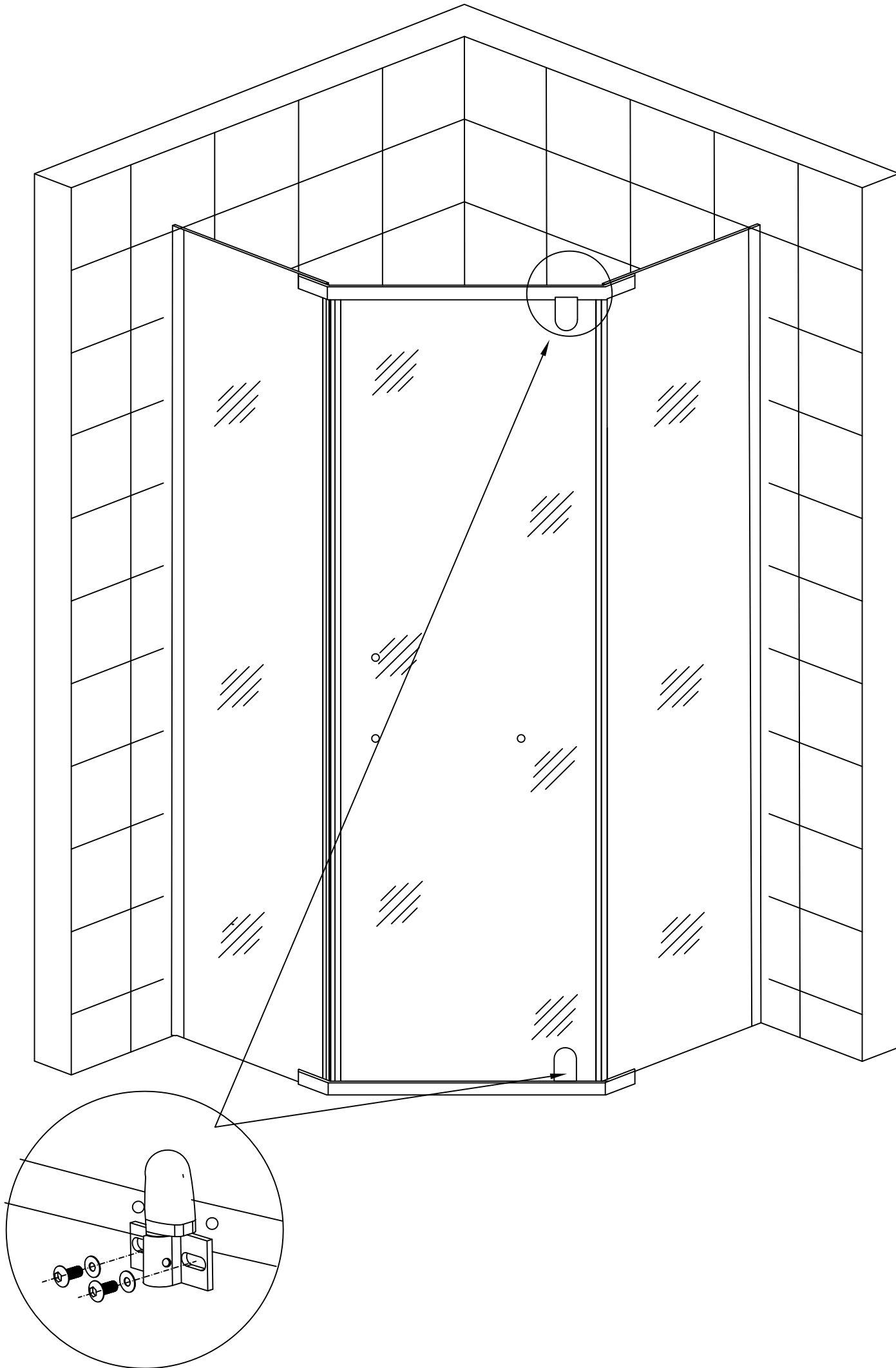
- Drill with screwdriver attachments
- Caulk gun
- Level (3 foot or longer is recommended)
- Tape measure
- Phillips head screw driver
- Flat head screw driver

- Bathroom rated silicone sealant

Before starting the installation, please ensure that you have inspected all components of the unit and check for broken or damaged sections. If you find damage, please contact your dealer or the manufacturer.

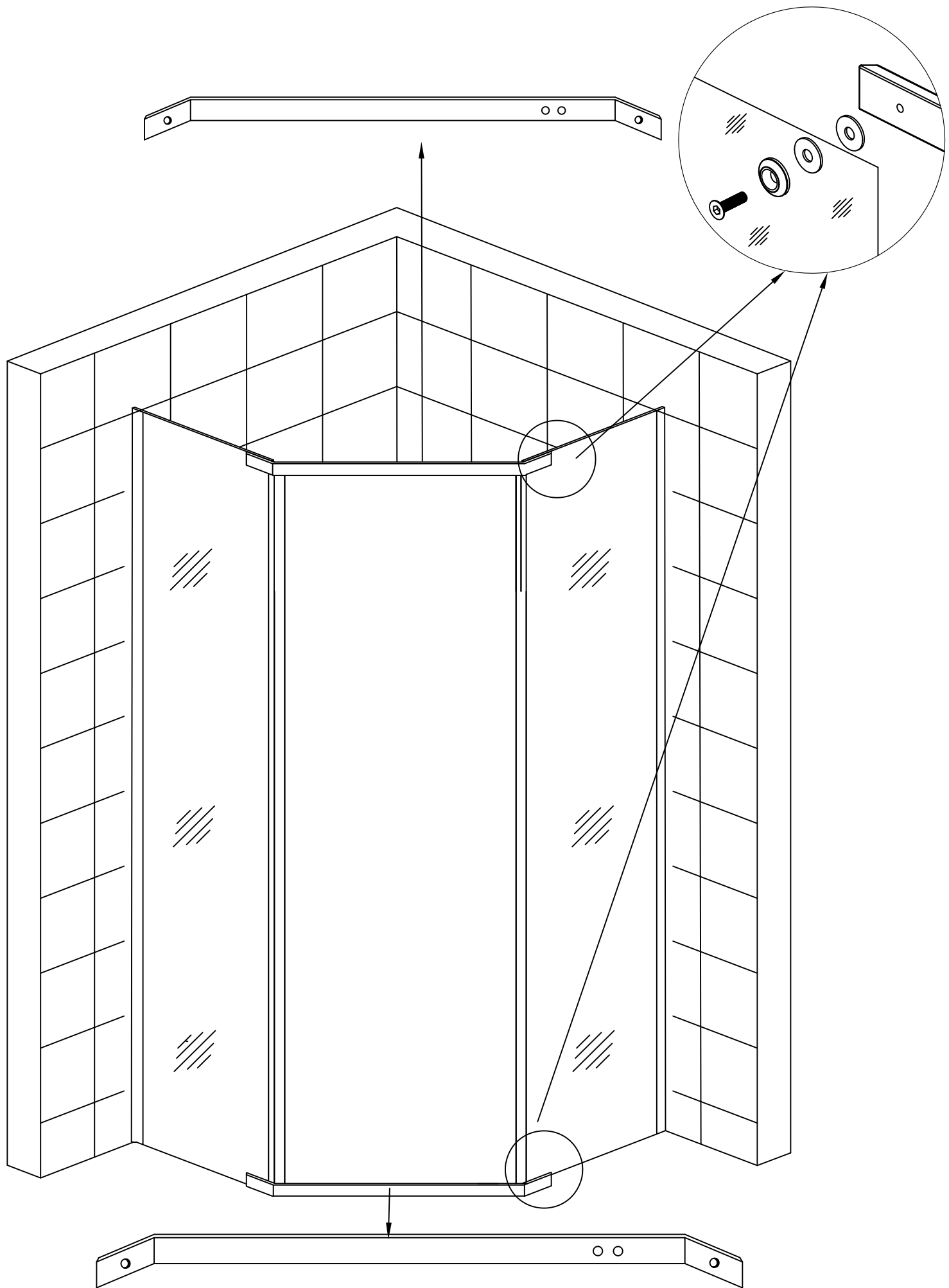
Locate the accessory and manual box and remove the individual screw and hardware packages and lay them out in sequential order to aid in completing the rest of the installation

# Installing the door



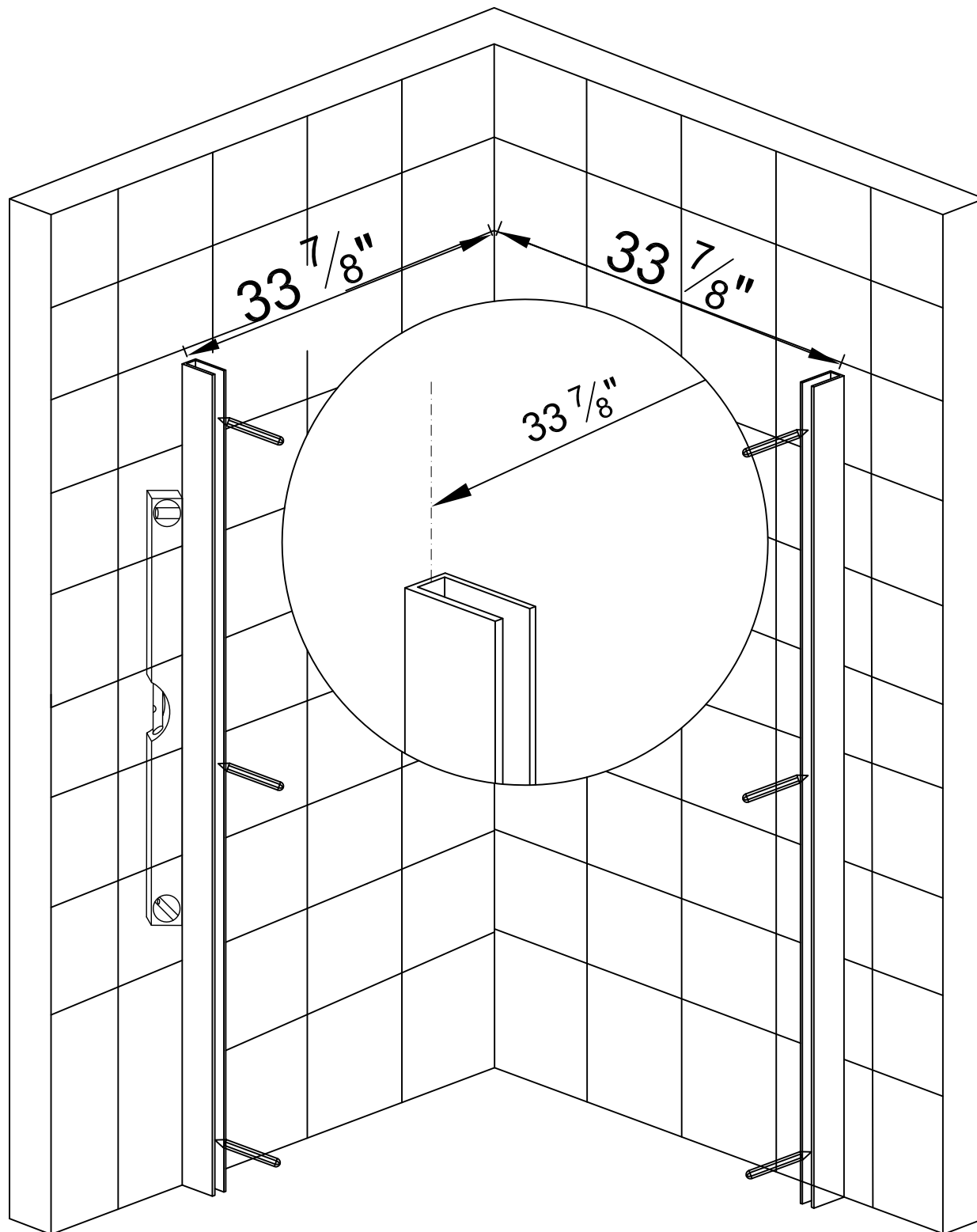
Using the hardware provided install the hinges onto the mounting cross bars.

# Installing the mounting cross bars



Install the mounting cross bars to the top and bottom of fixed glass panels creating the door opening. Please note: In the drawing above the mounting cross bars are positioned with the door hinge assembly holes on the right side of the door opening. This will allow the door pivot open from the right edge of the door opening. If you would like the door to pivot from the left edge of the door opening reverse the position mounting cross bars so that the door hinge mounting holes are positioned to the left.

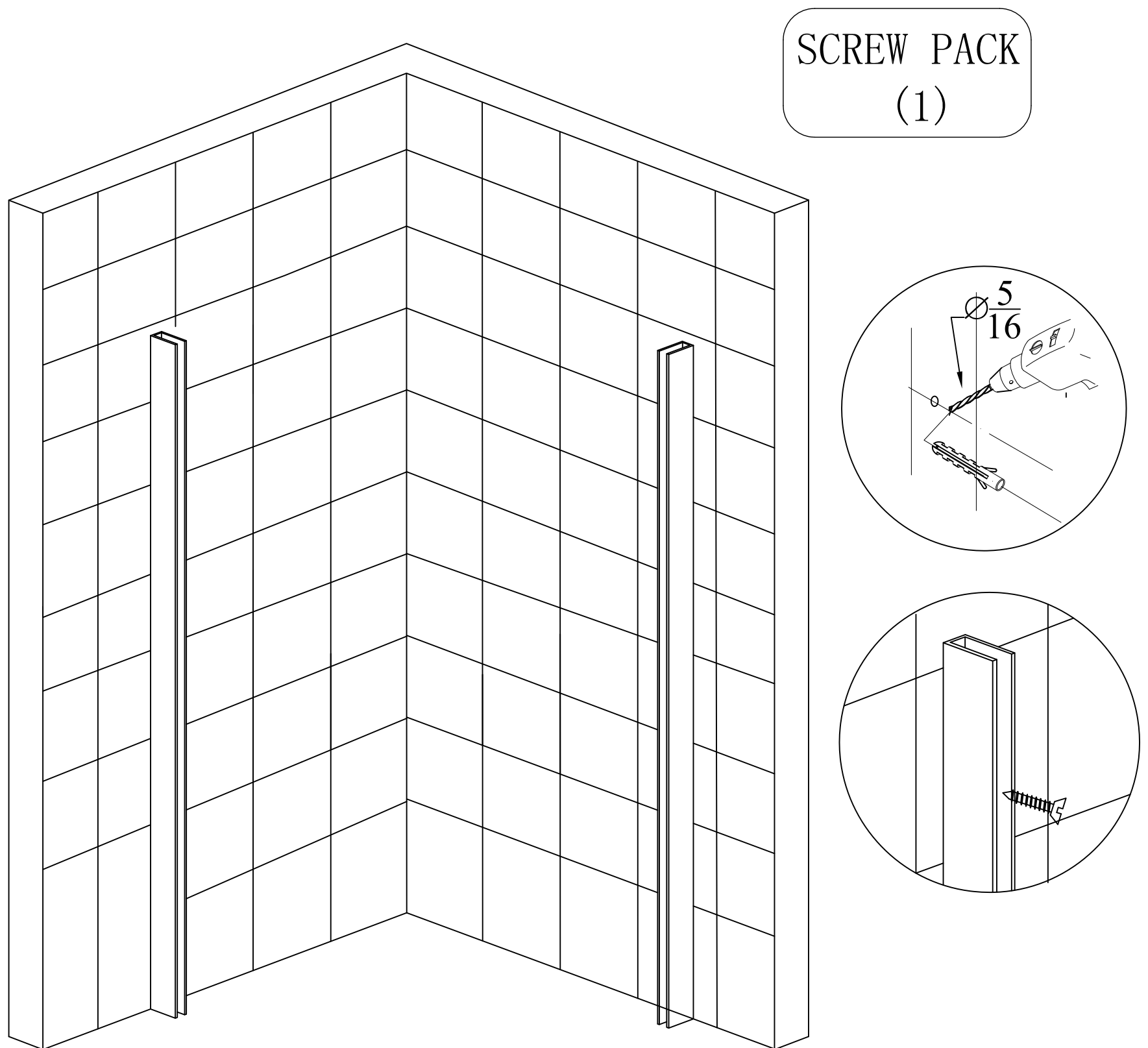
# Measure the distance



Install all of the wall material or materials you intend to use before installing the glass clamps and return glass panel, this includes all moisture resistant wall board or rock board, tile, stone or other wall covering.

Refer to the drawing above and measure and mark the shower wall and floor for drilling locations to attach glass clamps and Vertical channel(25).

# Installation of Vertical channel

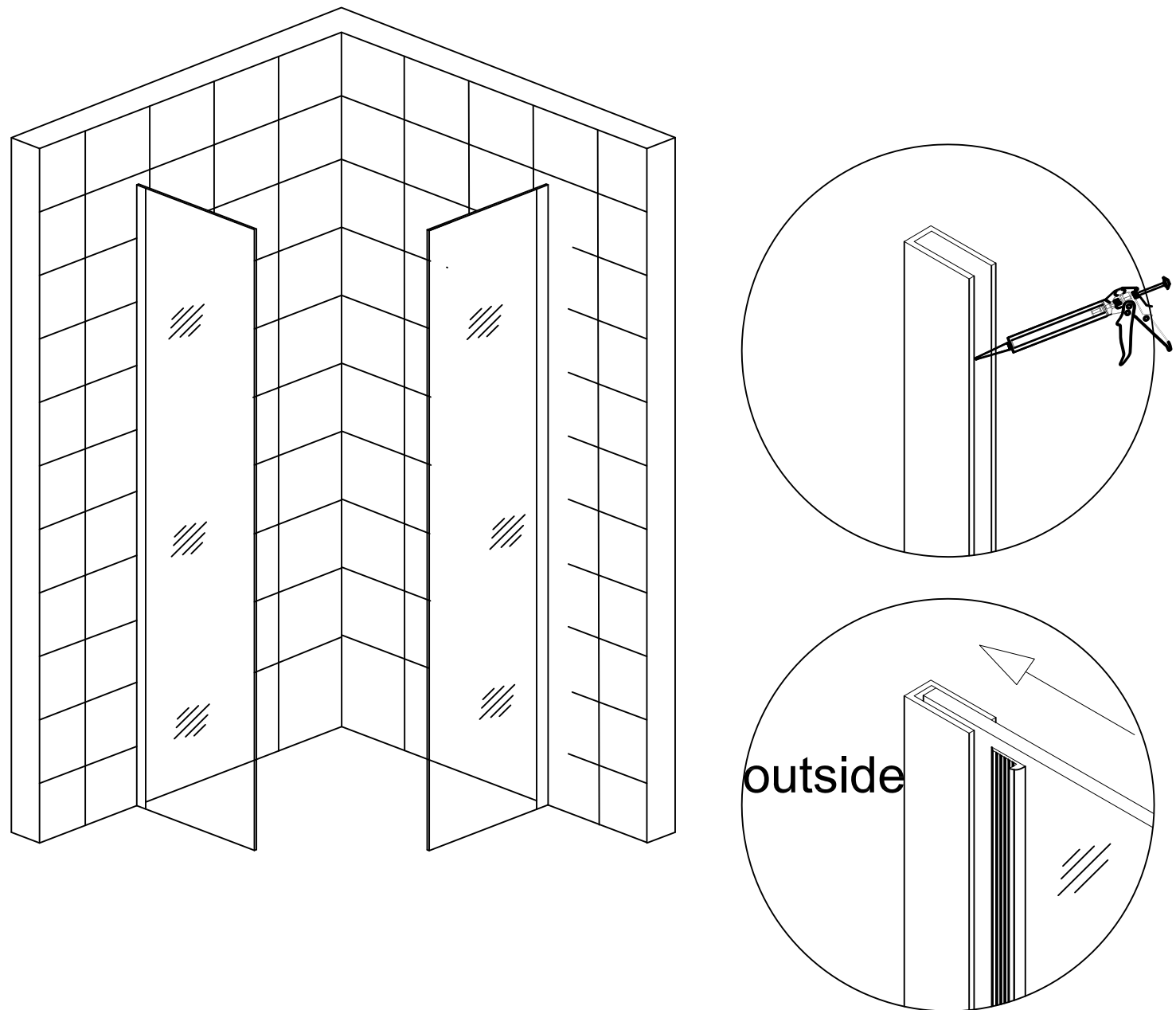


Using the appropriate drill bit for your wall surface drill each hole location with a 5/16" diameter drill bit. Install the plastic wall anchors provided into the drilled holes

**NOTE:** If your surface is prone to cracking or chipping then it is recommended that you pilot drill first using a smaller drill bit, and then step up to the final size.

Using screw pack (1) attach the Vertical channel to wall using M4x40 screws.

## Installation of return glass panel



Set properly check for level and plumb and then apply a small neat bead of 100% clear silicone to the inside bottom of the Vertical channel .

Install return glass panel to Vertical channel .