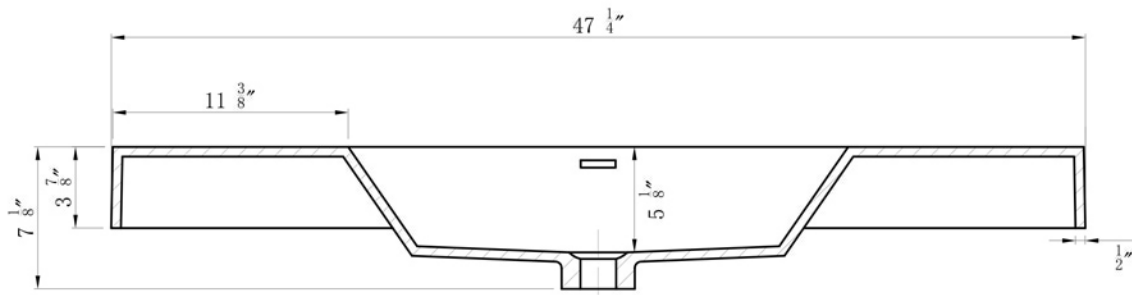
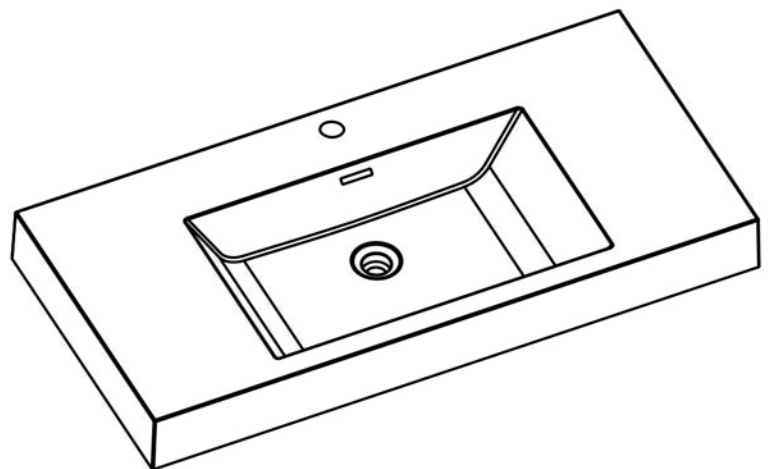
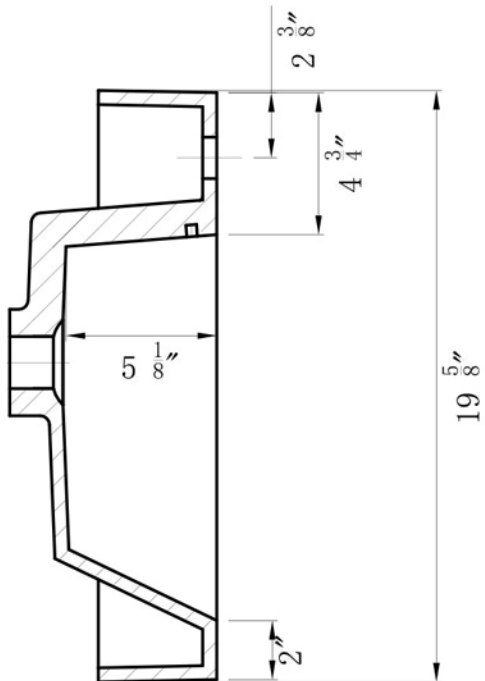
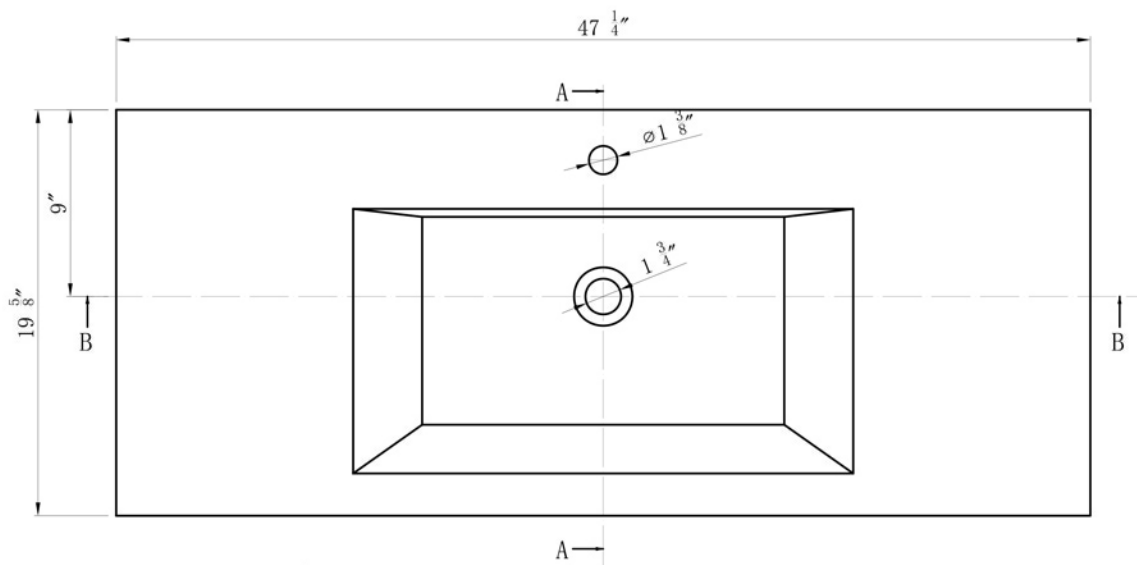


# TECHNICAL SPECS



SECTION B-B



SERA

**48" ROGER  
SINK**