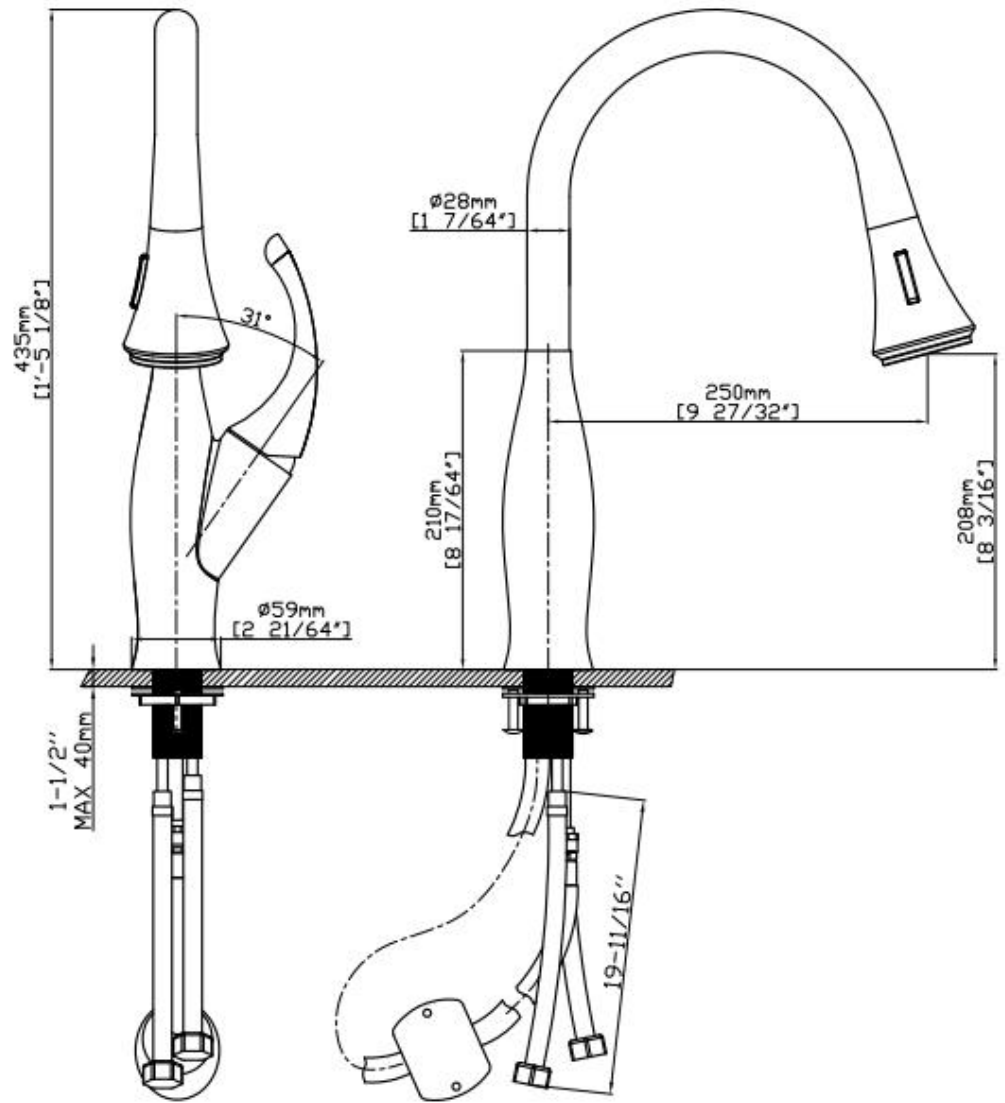


K111 01 02 1
Brushed Nickel



DIMENSIONS CRITIQUES

FITTINGS



SUS 304 Inlet hoses*2
cUPC approved
length: 24 inch



Wanhai 35mm
ceramic cartridge
cUPC approved



weight kit:
0.93lb



Diameter:
North
American
Standard 3/8"

WEIGHT



Faucet weight: 6.6lb



faucet+inner box
8.27lb

DETAILS

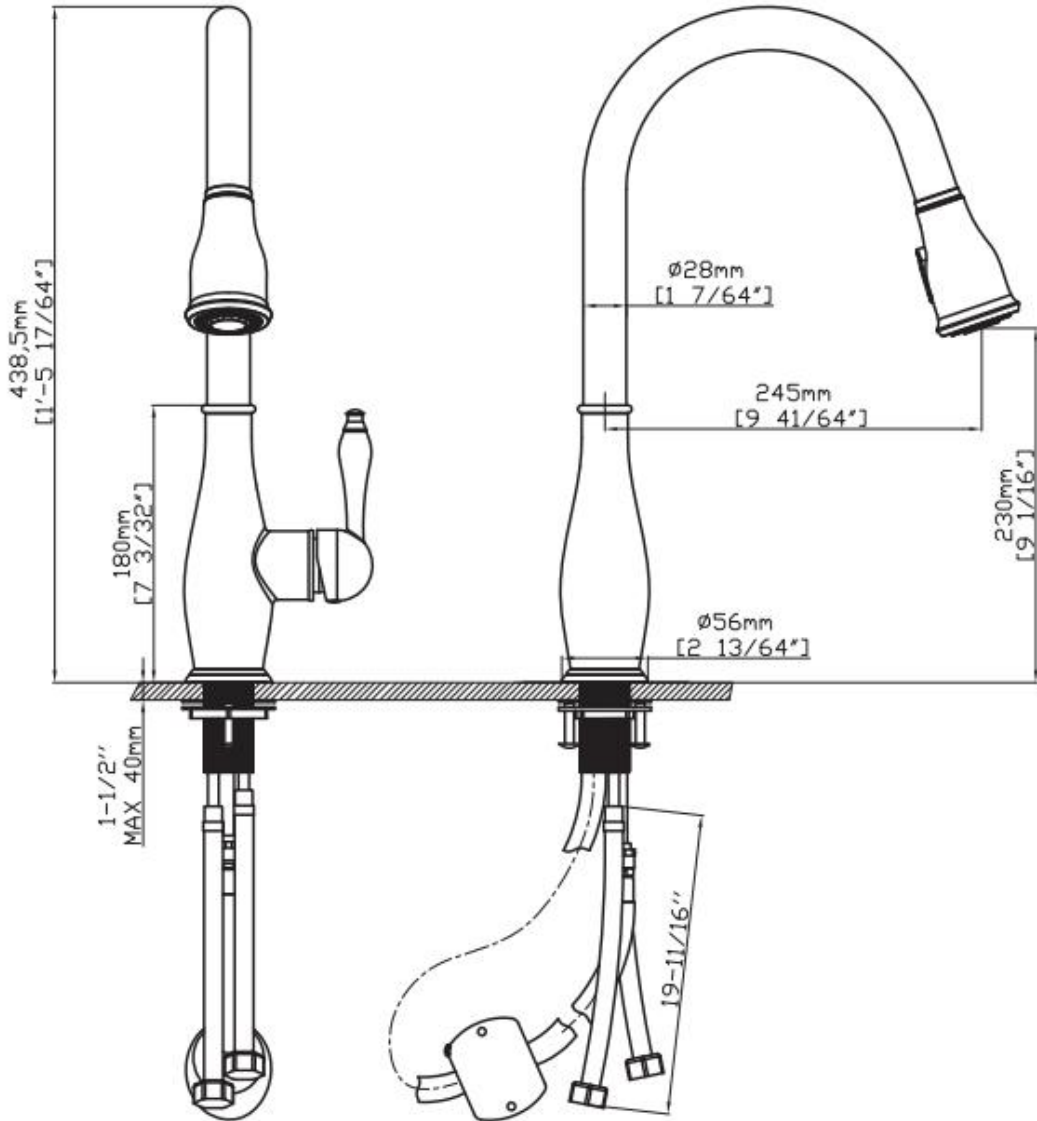


WATER EFFECT



Flow rate: 1.8gpm@60psi

K144 01 02 1
Brushed Nickel



CRITICAL DIMENSIONS

FITTINGS



SUS 304 Inlet hoses*2
cUPC approved
length: 19.7 inch



Wanhai 35mm
ceramic cartridge
cUPC approved



weight kit:
0.93lb



Diameter:
North
American
Standard 3/8"

WEIGHT



Faucet weight: 4.49lb



faucet+inner box
3.97lb

WATER EFFECT



Flow rate: 1.8gpm@60psi