

Specifications

DESCRIPTION

- Brass construction
- Includes Red/Blue indicators

FLOW

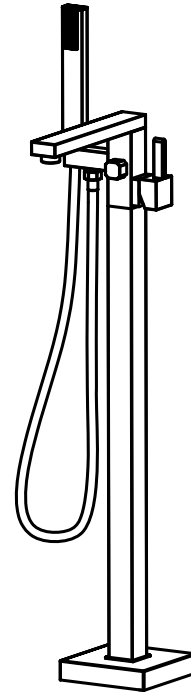
- Showerhand is limited to 2.5gpm(9.5L/min) at 80psi
- Bathtub spout is minimum to 2.4gpm(9.0L/min) at 20psi

CARTRIDGE

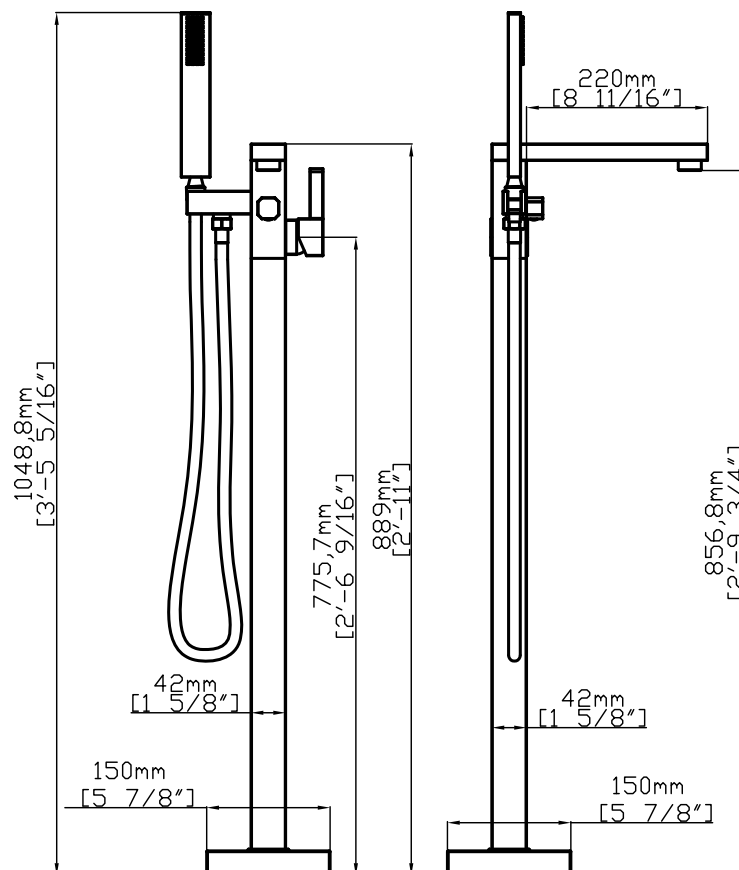
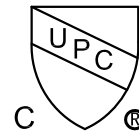
- Ceramic disk cartridge

STANDARDS

- Certified to CUPC



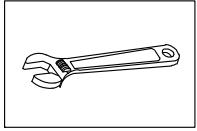
Bathtub Filler Standing Faucet



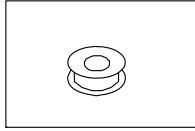
CRITICAL DIMENSIONS

Bathtub Filler Standing Faucet Installation

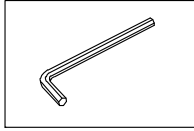
INSTALLATION MANUAL Tools You Will Need :



Adjustable wrench



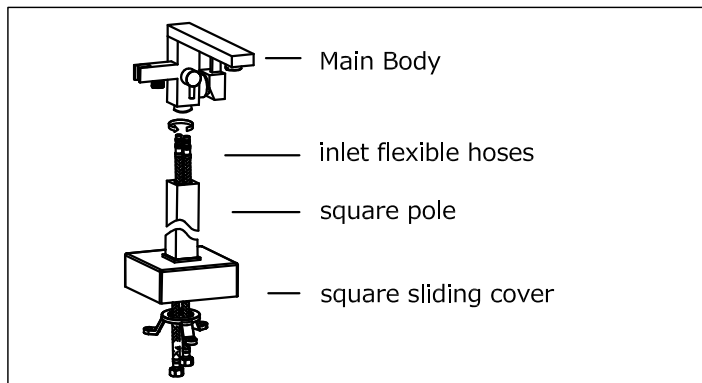
Pipe Tape



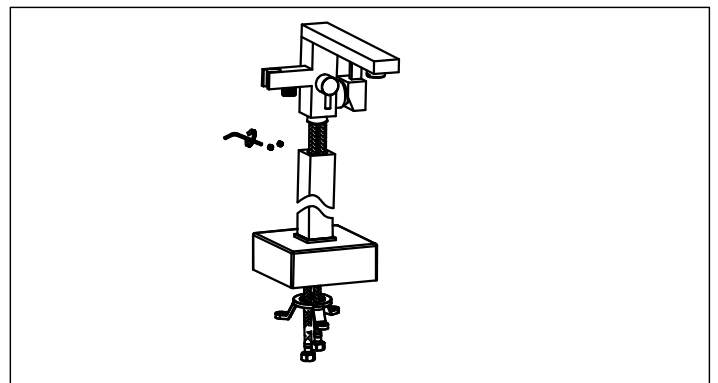
Hexagon wrench

Notes before installation :

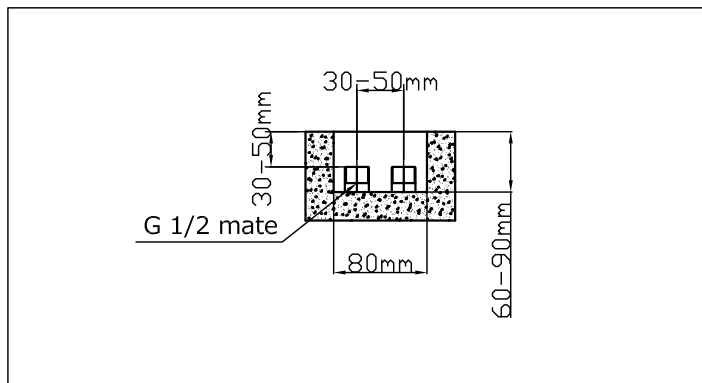
1. Please check that all components are present.
2. Before installation ensure that all feed lines are clear of debris and on/off valve is present.
3. Ensure water pressure is between 20-125 PSI (includes combination of hot and cold feed lines).
4. Pictures in the manual are general in content and may not represent exactly your purchased faucet. If you are having difficulties please contact a professional plumber.
5. If you will be away from home for an extended period you should shut off the main water supply.



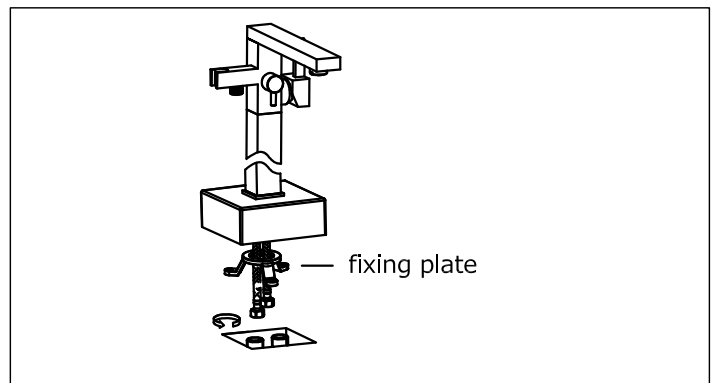
1. Insert the flexible hoses through the square pole and assembling them to main body turning by hand.



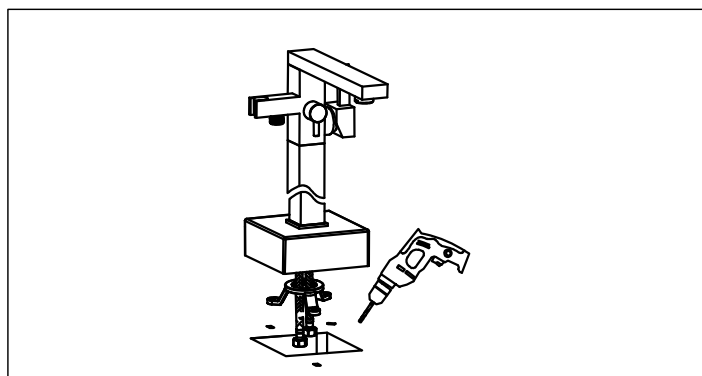
2. Match the square pole with the main body, fix together turning the 2 screws on rear with the key.



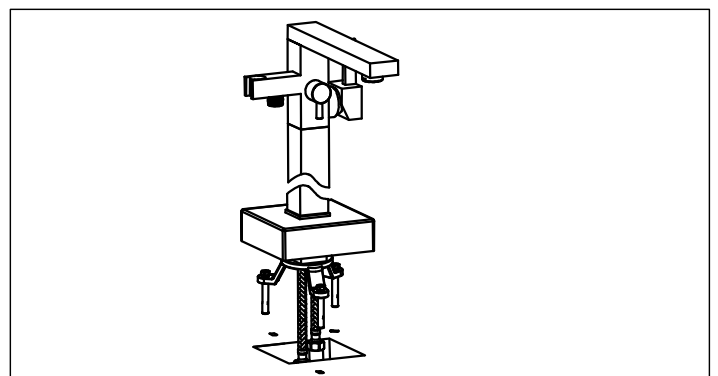
3. Create a chamber in the floor following the above measure with G 1/2 male connectors for water net.



4. Insert the sliding cover on square pole, insert the flexible hose's nuts through the fixing base and connect the G 1/2 nuts with the water net connectors fixing tight by key.



5. Adjust the complete to get correct position, then drill to fix base plate.



6. Insert the fixing bolts and fix tight in the floor. Move the cover to hide the base.